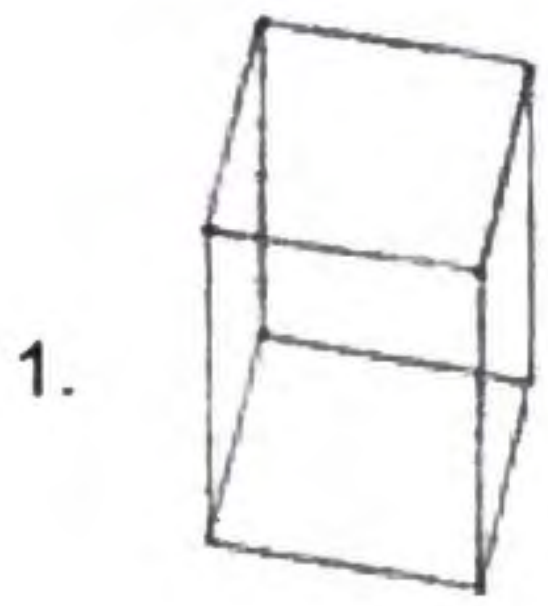


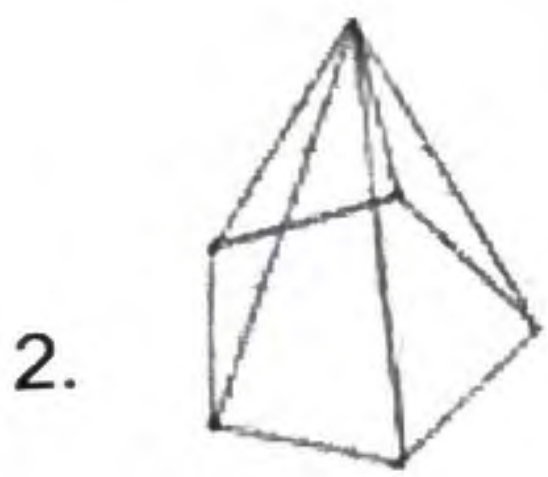
# Prisms and Pyramids

For each picture below, write whether it is a pyramid or a prism. Then, for each picture write the number of edges, vertexes, and faces. The first one is done for you.

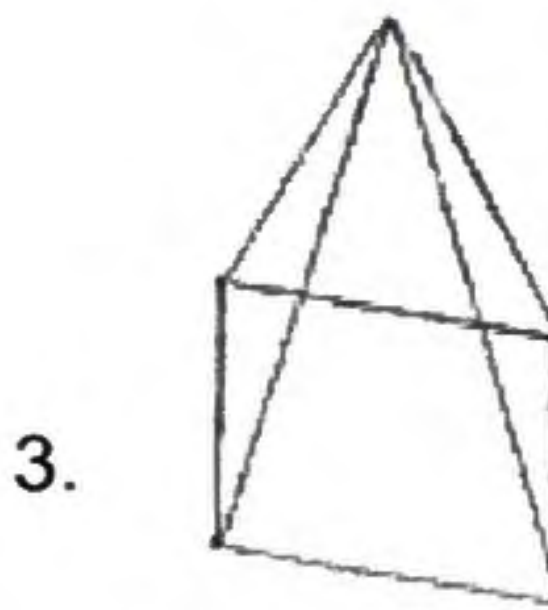


Prism

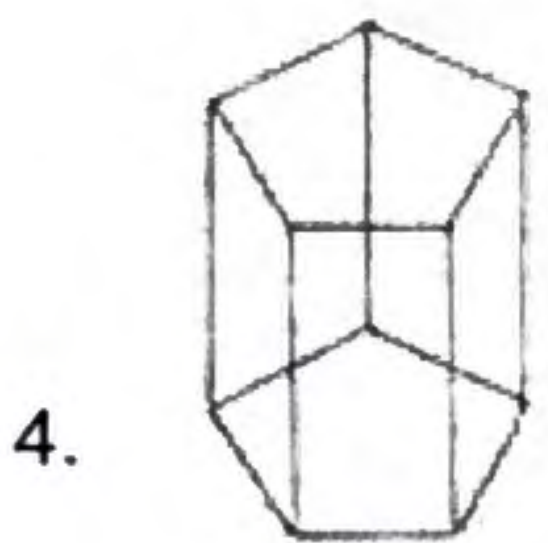
Edges	<b>12</b>
Vertexes	<b>8</b>
Faces	<b>6</b>



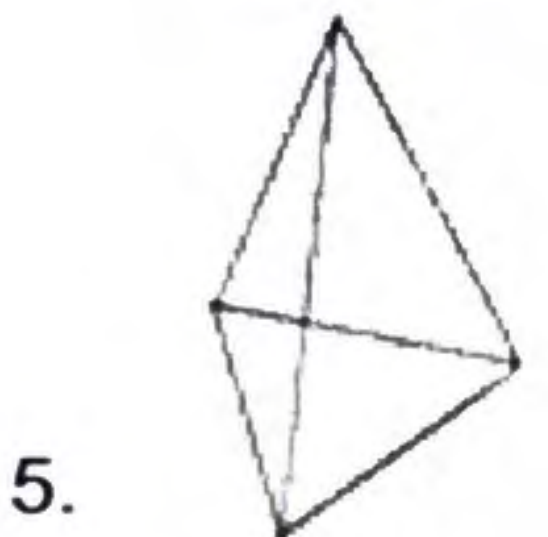
Edges	
Vertexes	
Faces	



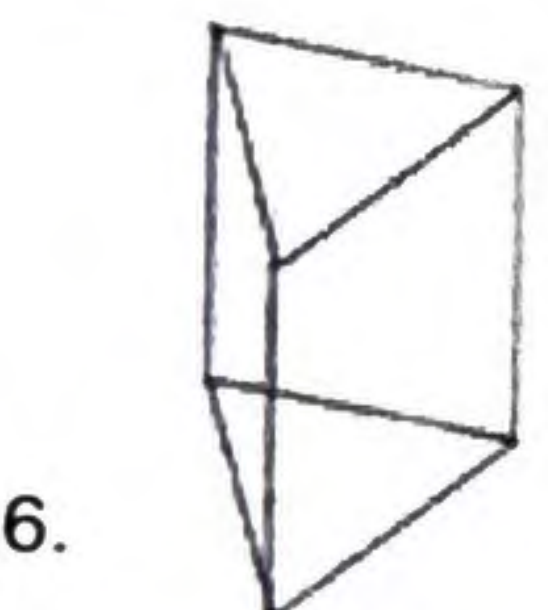
Edges	
Vertexes	
Faces	



Edges	
Vertexes	
Faces	



Edges	
Vertexes	
Faces	



Edges	
Vertexes	
Faces	